

# F-1000 Series Wide-Dispersion Speakers



## DESCRIPTION

The TOA F-1000 Series comprise a two-way speaker line of compact units offering wide frequency response and higher, more powerful performance. These highly adaptable speaker systems are intended to meet the requirements of a wide range of venues and applications, both indoors and outdoors.

For clear, wide-area sound coverage, the Series include wide dispersion-angle (90° x 90°) high-frequency horn (Octagonal Horn). High-impedance and low-impedance models are available. Low impedance models come with separate HF and LF protection circuitry. High impedance models have a rear-panel rotary control for making impedance settings that optimally match amplifier and speaker performance.

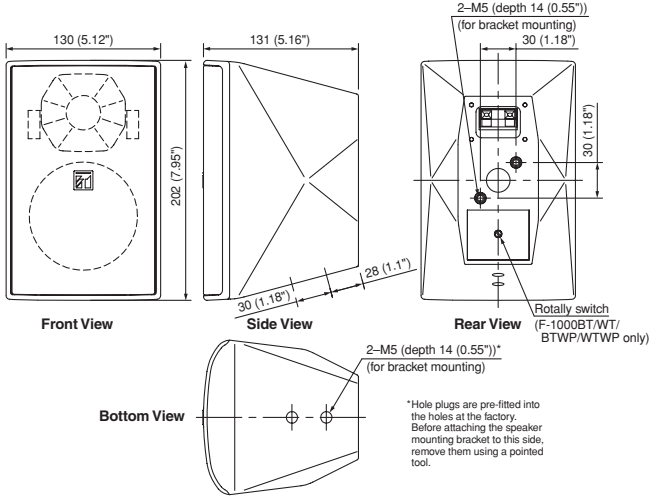
The speaker units have a design that combines stylishness and a high degree of performance-enhancing rigidity. Even the decor-enhancing convex bulge on the side of the casing serves to improve rigidity. Brackets for easy speaker-stand, wall and ceiling installation are included, and there are also optionally available brackets for more challenging installation venues and sound reinforcement applications. Push-in terminals make connections quick and easy, and there are models for outdoor use that meet IPX4 splash-proof standards.

## FEATURES

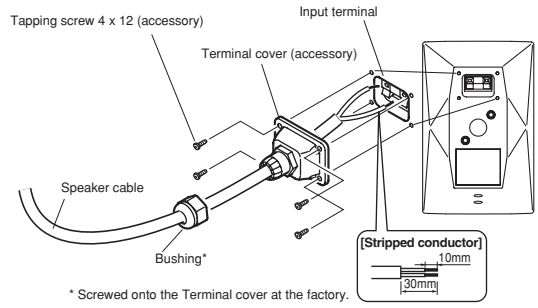
- 90° x 90° dispersion angle high-frequency horns (Octagonal Horn) ensure an enhanced sound coverage area and a more even balanced tone.
- Splash-proof design with anticorrosive punching net and terminal cover, meeting IPX4 splash-proof ratings, available on models F-1000BTWP/WTWP.
- All speaker models are repaintable.
- Low impedance models have high and low frequency filter and protection circuitry.
- Included accessory brackets allow a wide choice of installations on walls, ceilings and speaker stands.
- Optionally available brackets meet an even wider variety of installation demands.
- Stylish and highly rigid casing design for attractive installation with clearer sound reproduction.
- Sensitivity: 87dB (1W, 1m)



# APPEARANCE AND DIMENSIONAL DIAGRAM



# TERMINAL COVER USE (F-1000BTWP/WTWP only)

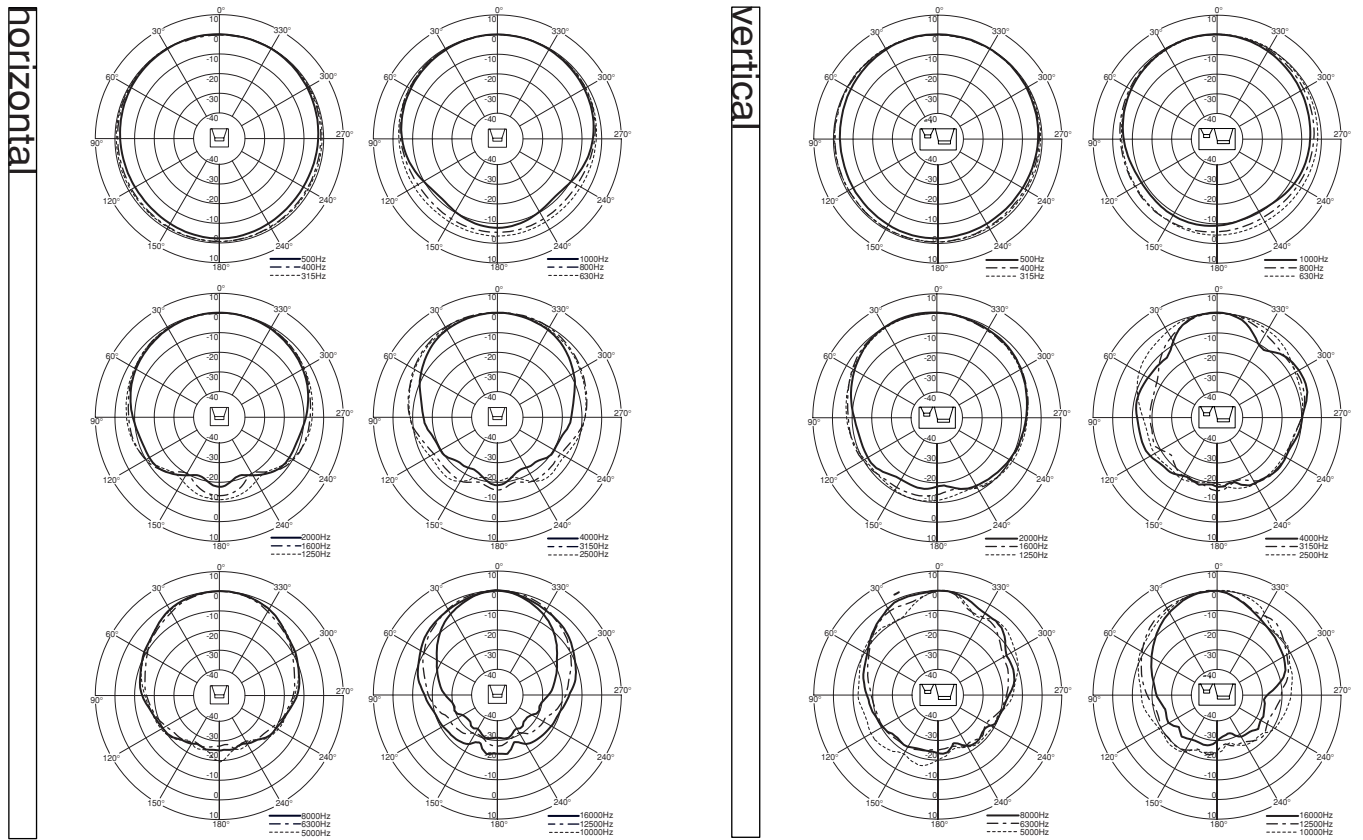


### Notes

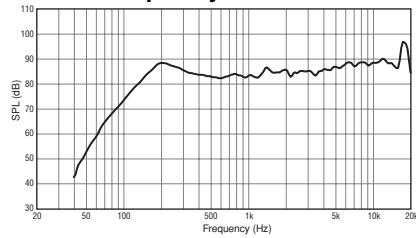
- For the speaker cable, use a cable with a diameter of 6 – 10 mm, which will fit the cable bushing.
- To ensure waterproof capabilities, firmly mount the terminal cover to the speaker and tighten the bushing on the cover.

# CHARACTERISTIC DIAGRAMS

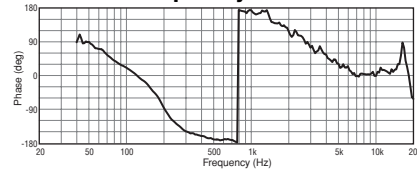
## Polar Response



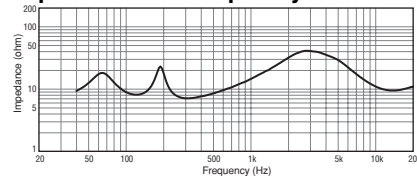
## SPL vs. Frequency



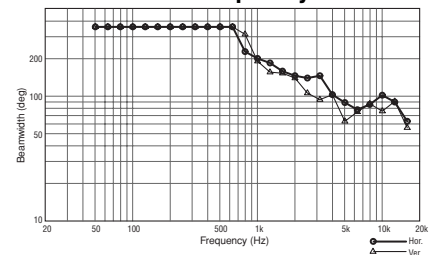
## Phase vs. Frequency



## Impedance vs. Frequency



## Beamwidth vs. Frequency



## SPECIFICATIONS

Model No.	F-1000B	F-1000W	F-1000BT	F-1000WT	F-1000BTWP*	F-1000WTWP*
Enclosure Type	Bass-reflex type					
Power Handling Capacity	30 W (continuous pink noise) 90 W (continuous program)			—		
Rated Input	—			15 W		
Rated Impedance	8 Ω		8 Ω		100V line: 670Ω (15W), 2 kΩ (5W), 3.3 kΩ (3W), 10 kΩ (1W) 70V line: 330Ω (15W), 670Ω (7.5W), 2 kΩ (2.5W), 3.3 kΩ (1.5W), 10 kΩ (0.5W)	
Sensitivity	87 dB (1W, 1m) at installation in 1/2 free sound field					
Frequency Response	85 – 20,000 Hz, -10 dB at installation in 1/2 free sound field					
Crossover Frequency	5kHz					
Directivity Angle	Horizontal: 90°, Vertical: 90°					
Speaker Component	Low frequency: 10 cm (4") cone-type High frequency: Balanced dome tweeter					
Input Terminal	Push-in terminal					
Water Protection	—				IPX4	
Operating Temperature	-10°C to +50°C (14°F to 122°F)					
Finish	Enclosure: HIPS resin, black Punched net: Surface-treated steel plate, black, paint Joint bracket, wall bracket: Steel plate, t1.6, black, paint Speaker bracket: Die-cast aluminum, black, paint	Enclosure: HIPS resin, white Punched net: Surface-treated steel plate, white, paint Joint bracket, wall bracket: Steel plate, t1.6, white paint Speaker bracket: Die-cast aluminum, white, paint	Enclosure: HIPS resin, black Punched net: Surface-treated steel plate, black, paint Joint bracket, wall bracket: Steel plate, t1.6, black, paint Speaker bracket: Die-cast aluminum, black, paint	Enclosure: HIPS resin, white Punched net: Surface-treated steel plate, white, paint Joint bracket, wall bracket: Steel plate, t1.6, white, paint Speaker bracket: Die-cast aluminum, white, paint	Enclosure: HIPS resin, black Punched net: Surface-treated steel plate, black, anticorrosive paint Joint bracket, wall bracket: Stainless steel (SUS304), t1.5 Speaker bracket: Die-cast aluminum, black, paint	Enclosure: HIPS resin, white Punched net: Surface-treated steel plate, white, anticorrosive paint Joint bracket, wall bracket: Stainless steel (SUS304), t1.5 Speaker bracket: Die-cast aluminum, white, paint
Dimensions	130 (W) × 202 (H) × 131 (D) mm (5.12" × 7.95" × 5.16")					
Weight	1.8 kg (3.97 lb) (including the supplied brackets)			2 kg (4.41 lb) (including the supplied brackets)		
Accessories	Speaker bracket × 1, Joint bracket × 1, Wall bracket × 1, Bracket fixing screw × 1 set				Speaker bracket × 1, Joint bracket × 1, Wall bracket × 1, Bracket fixing screw × 1 set, Terminal cover × 1, Terminal cover mounting screw × 4	
Options	Board hanger bracket: HY-BH10B Ceiling mount bracket: HY-CM10B Cluster bracket: HY-CL10B Speaker stand: ST-16A	Board hanger bracket: HY-BH10B Ceiling mount bracket: HY-CM10W Cluster bracket: HY-CL10B Speaker stand: ST-16A	Board hanger bracket: HY-BH10B Ceiling mount bracket: HY-CM10B Cluster bracket: HY-CL10B Speaker stand: ST-16A	Board hanger bracket: HY-BH10B Ceiling mount bracket: HY-CM10W Cluster bracket: HY-CL10B Speaker stand: ST-16A	Speaker mount bracket: YS-60B	
Recommended Subwoofer	HB-1, FB-10, FB-100					

\* Note: Do not install the speaker at places where it is likely to be corroded such as bathroom, indoor pools or seaside.

## ARCHITECTURAL AND ENGINEERING SPECIFICATIONS

### F-1000B / F-1000W

The speaker shall be a two-way bass reflex enclosure suitable for ceiling or wall mounting. The low frequency component shall be a 10 cm (4") cone-type woofer. The high frequency component shall be a balanced dome tweeter. For clear, wide-area sound coverage, the speaker shall 90° (H) x 90° (V) wide dispersion-angle high frequency horn.

The speaker shall come with separate HF and LF protection circuitry.

The speaker shall be rated at 8 ohms. The sensitivity at a distance of 1m with a 1 W input level applied shall be 87 dB. The rated power handling shall be 30 W continuous pink noise and 90 W continuous program. The speaker shall have a frequency response of 85 – 20kHz.

The speaker enclosure shall be constructed of HIPS resin. The speaker shall be available in white or black, and also be repaintable. The grille shall be a punched net, surface-treated steel plate. Brackets for speaker-stand, wall and ceiling installation shall be included. There shall be also optionally available brackets for more demanding installations.

The unit shall be compact and lightweight with dimensions of 130 x 202 x 131 mm (5.12" x 7.95" x 5.16") and a weight of 1.8 kg (3.97 lbs).

The speaker shall be a TOA model F-1000B/F-1000W. The board hanger bracket shall be the HY-BH10B. The ceiling mount bracket shall be the HY-CM10B/HY-CM10W.

The cluster bracket shall be the HY-CL10B. The subwoofer shall be the HB-1, FB-100 or FB-10.

### F-1000BT / F-1000WT

The speaker shall be a two-way bass reflex enclosure suitable for ceiling or wall mounting. The low frequency component shall be a 10 cm (4") cone-type woofer. The high frequency component shall be a balanced dome tweeter. For clear, wide-area sound coverage, the speaker shall 90° (H) x 90° (V) wide dispersion-angle high frequency horn.

The rated input shall be 15 W. The speaker shall include a transformer having multiple taps (8Ω, 1 W, 3 W, 5 W, 15 W at 100 V and 0.5 W, 1.5 W, 2.5 W, 7.5 W, 15 W at 70 V) adjustable via the rear of the enclosure. The sensitivity at a distance of 1m with a 1 W input level applied shall be 87 dB. The speaker shall have a frequency response of 85 – 20kHz.

The speaker enclosure shall be constructed of HIPS resin. The speaker shall be available in white or black, and also be repaintable. The grille shall be a punched net, surface-treated steel plate. Brackets for speaker-stand, wall and ceiling installation shall be included. There shall be also optionally available brackets for more demanding installations.

The unit shall be compact and lightweight with dimensions of 130 x 202 x 131 mm (5.12" x 7.95" x 5.16") and a weight of 1.8 kg (3.97 lbs).

The speaker shall be a TOA model F-1000BT/F-1000WT. The board hanger bracket shall be the HY-BH10B. The ceiling mount bracket shall be the HY-CM10B/HY-CM10W.

The cluster bracket shall be the HY-CL10B. The subwoofer shall be the HB-1, FB-100 or FB-10.

### F-1000BTWP / F-1000WTWP

The speaker shall be a two-way bass reflex enclosure suitable for ceiling or wall mounting. The low frequency component shall be a 10 cm (4") cone-type woofer. The high frequency component shall be a balanced dome tweeter. For clear, wide-area sound coverage, the speaker shall 90° (H) x 90° (V) wide dispersion-angle high frequency horn.

The rated input shall be 15 W. The speaker shall include a transformer having multiple taps (1 W, 3 W, 5 W, 15 W at 100 V and 0.5 W, 1.5 W, 2.5 W, 7.5 W, 15 W at 70 V) adjustable via the rear of the enclosure. The sensitivity at a distance of 1m with a 1 W input level applied shall be 87 dB. The speaker shall have a frequency response of 85 – 20kHz.

The speaker enclosure shall be constructed of HIPS resin. The speaker shall have a IEC 529 splash-proof rating of IPX4. The speaker shall have an operating temperature of -10° C to +50° C (14° F to 122° F). The speaker shall be available in white or black, and also be repaintable. The grille shall be a punched net, surface-treated steel plate with anticorrosive paint. Brackets for speaker-stand, wall and ceiling installation shall be included.

There shall be also optionally available brackets for more demanding installations.

The unit shall be compact and lightweight with dimensions of 130 x 202 x 131 mm (5.12" x 7.95" x 5.16") and a weight of 2 kg (4.41 lbs).

The speaker shall be a TOA model F-1000BTWP/F-1000WTWP.

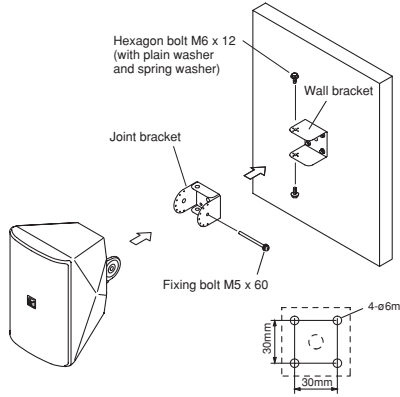
The pole mount brackets shall be the YS-60B. The subwoofer shall be the HB-1, FB-100 or FB-10.

# WALL BRACKET AND JOINT BRACKET MOUNTING (ACCESSORY BRACKETS)

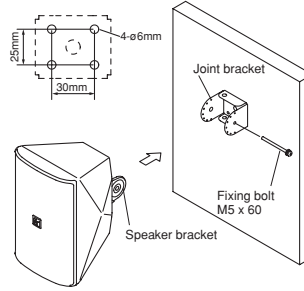
## Wall bracket mounting

Vertical installation  
Horizontal: Max. 82°  
Vertical: Max. 45° downward

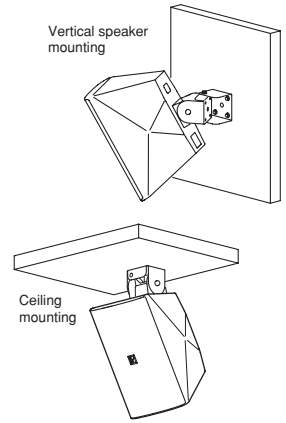
Horizontal installation  
Horizontal: Max. 60°  
Vertical: Max. 45° downward



## Joint bracket mounting



Vertical speaker mounting

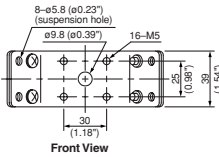
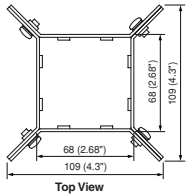


## OPTIONAL BRACKETS

### CLUSTER BRACKET for indoor use



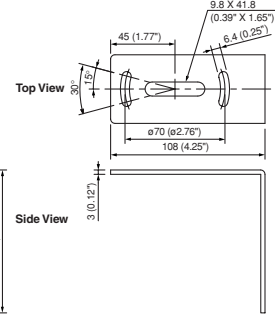
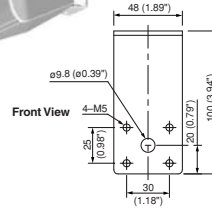
- HY-CL10B**
- **Finish:** Steel plate, black, paint
  - **Dimensions:** 109.3 (W) × 39 (H) × 109.3 (D)mm (4.3" × 1.54" × 4.3")
  - **Weight:** 380g (0.84 lb)



### CEILING MOUNT BRACKET for indoor use



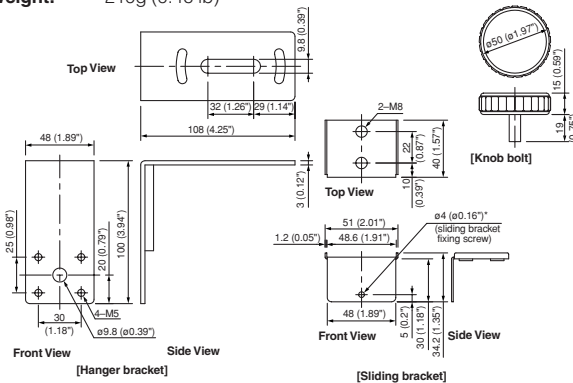
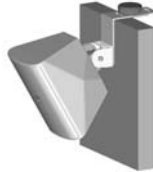
- HY-CM10B/W**
- **Finish:** Steel plate, black, paint (HY-CM10W: white, paint)
  - **Dimensions:** 48 (W) × 100 (H) × 108 (D)mm (1.89" × 3.94" × 4.25")
  - **Weight:** 210g (0.46 lb)



### BOARD HANGER BRACKET for indoor use



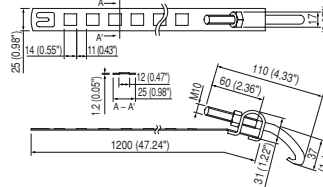
- HY-BH10B**
- **Finish:** Steel plate, black, paint
  - **Dimensions:** 48 (W) × 100 (H) × 108 (D)mm (1.89" × 3.94" × 4.25") (excluding knob bolt)
  - **Weight:** 210g (0.46 lb)



### POLE MOUNT BRACKET



- YS-60B**
- **Applicable Pole:** Approx. ø90 (ø3.5") to ø340 (ø13.4") mm
  - **Finish:** Electroless zinc-plated
  - **Weight:** 360g (0.79lb.) (per band)
  - **Product Composition:** Mounting band x 2



TOA Corporation

www.toa.jp